



:

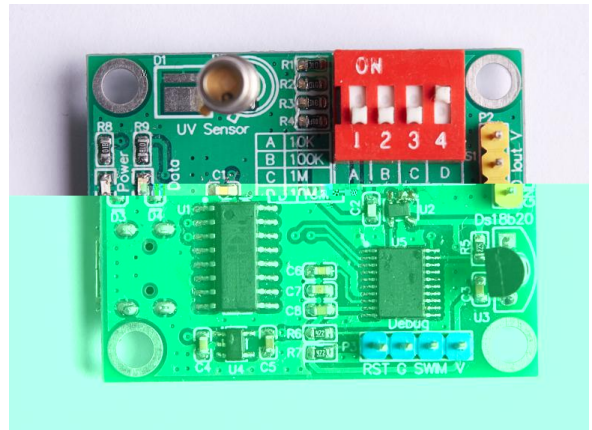
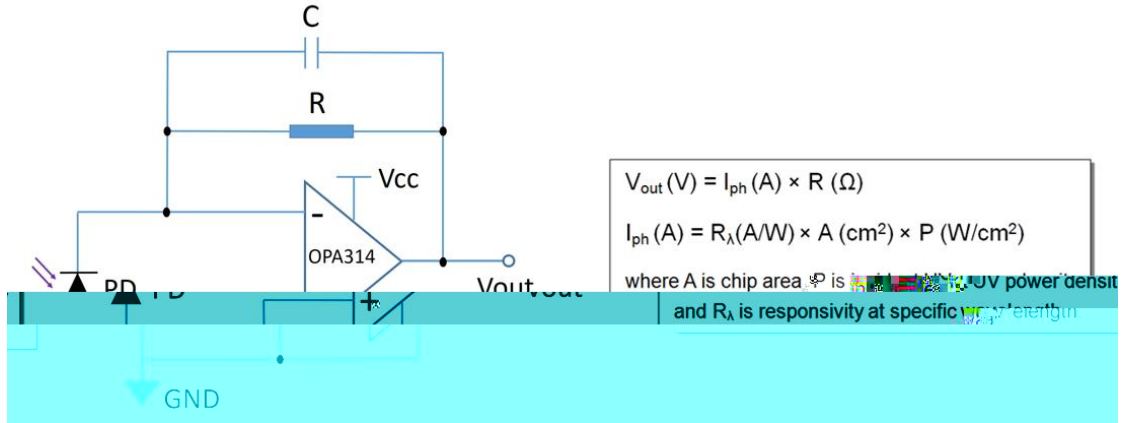
- UVA+UVB+UVC
- P ac a
- SMD 3535 c a c ac a c c a
- G a b a
- H a a c  
a ca , a a a



O a	a	a	T	-25-100	C
S a	a	a	T	-40-110	C
S	a	(3 )	T	260	C
R					



:



A a c a a b a  
a a b a a a ca  
a a b a a a T  
b SMD- a TO- ad a UV  
c GaN O . U c  
UV  
a a , b  
b a a a  
T a a b a a a  
D a ca a a c c  
a b a c a  
H UV a a b a a p a a a ac . A a  
ac a a a a c UV a a , a ac  
a c ca PC c c . A bac c -USB  
a ac PC USB cab c c . U c a c ca  
a PC c c a a a b a .  
F a a b a , a a a b a .  
b . a a a a a a a ca  
N :T b a  
M G N I c

:// a .c  
a ab GaN O UV ca